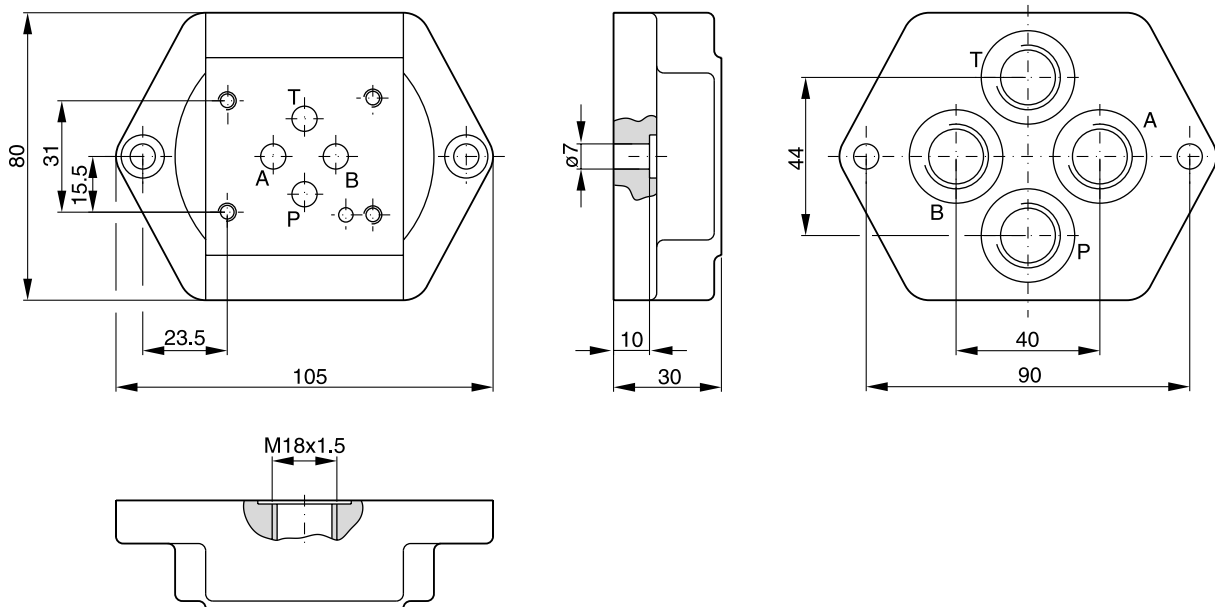
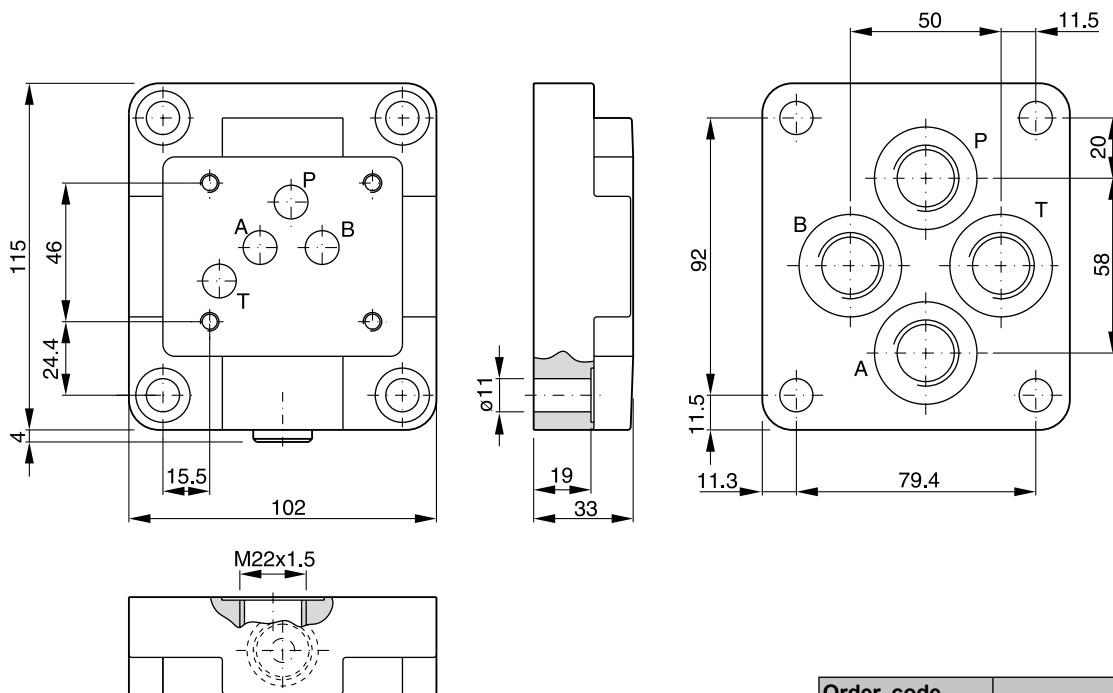


**Valve size DIN NG06, CETOP 03, NFPA D03**



Order. code	
<b>A 064 M</b>	P, A, B and T = M18x1.5 as per ISO 6149

**Valve size DIN NG10, CETOP 05, NFPA D05**



Order. code	
<b>A 104 M</b>	P, A, B and T = M22x1.5 as per ISO 6149

**Bold letters =**  
**Short-term availability**

